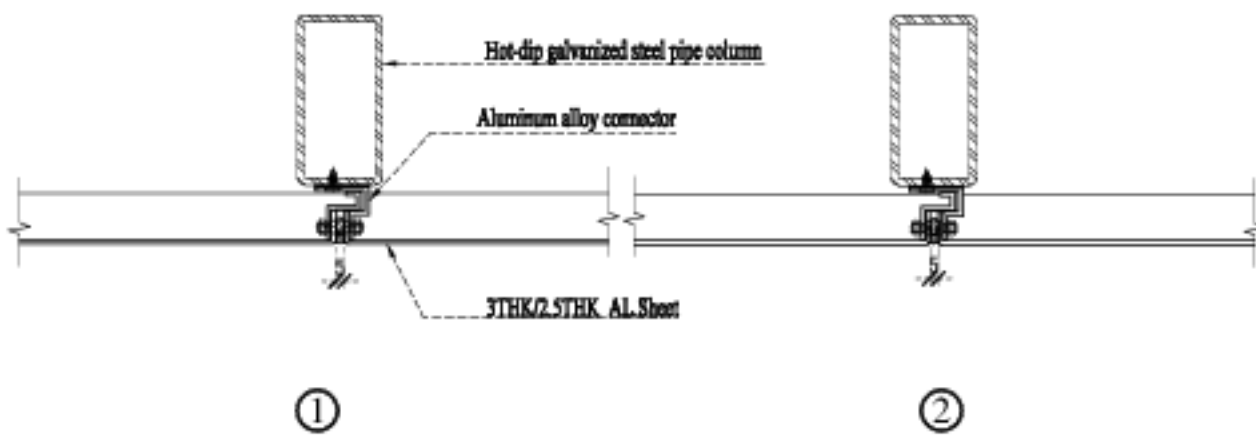
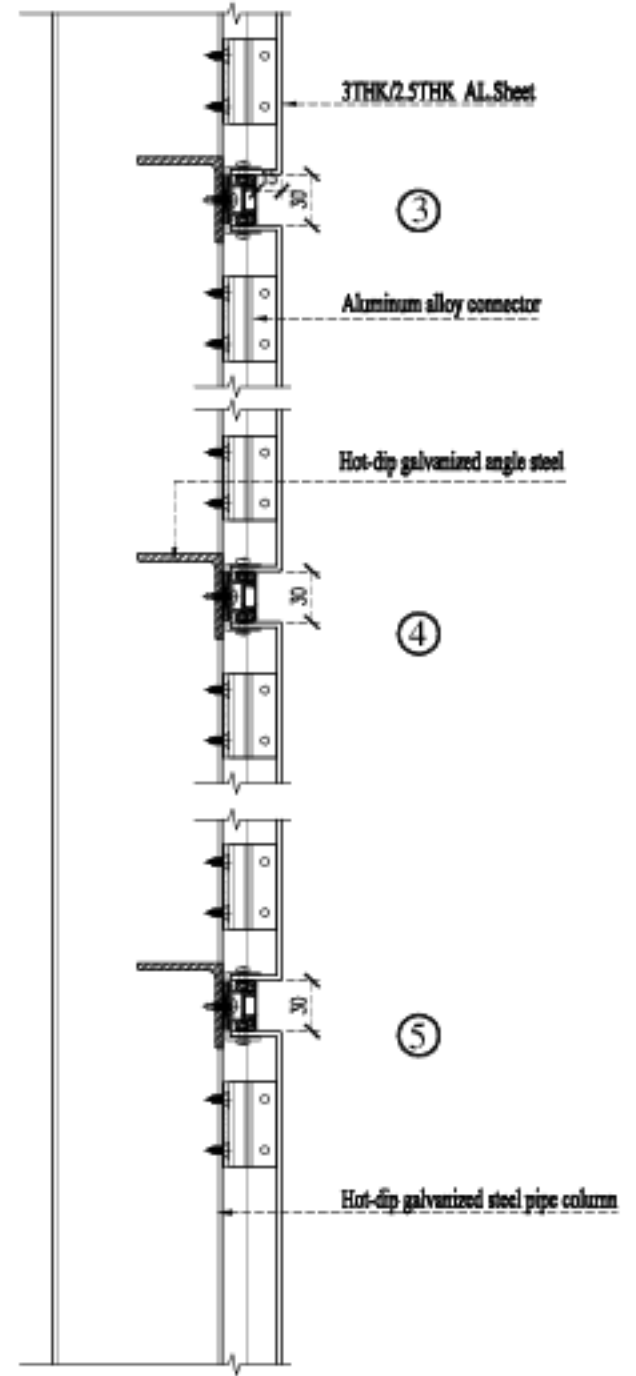
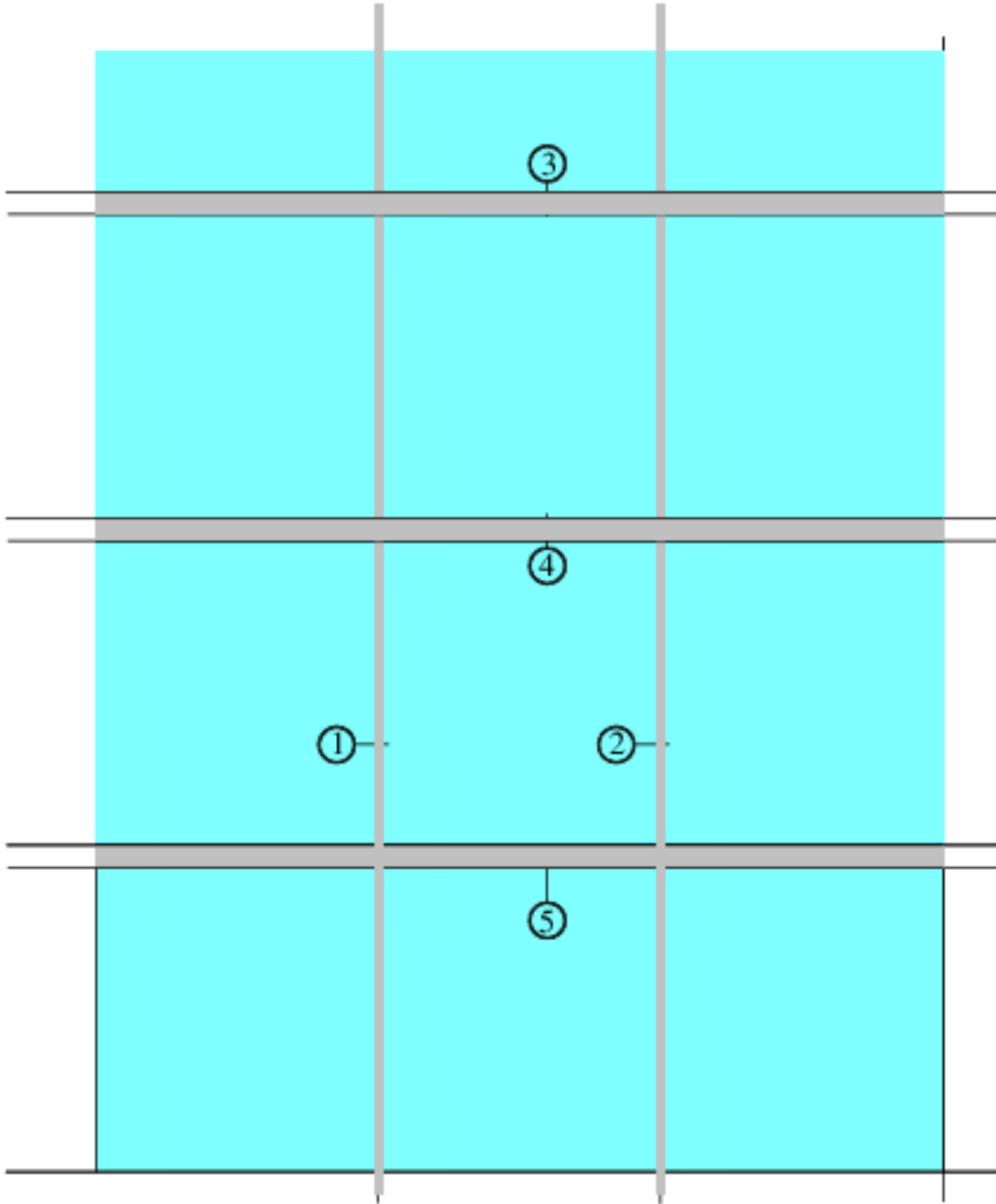







TOPBRIGHT CWS Aluminum veneer curtain wall-AL-01

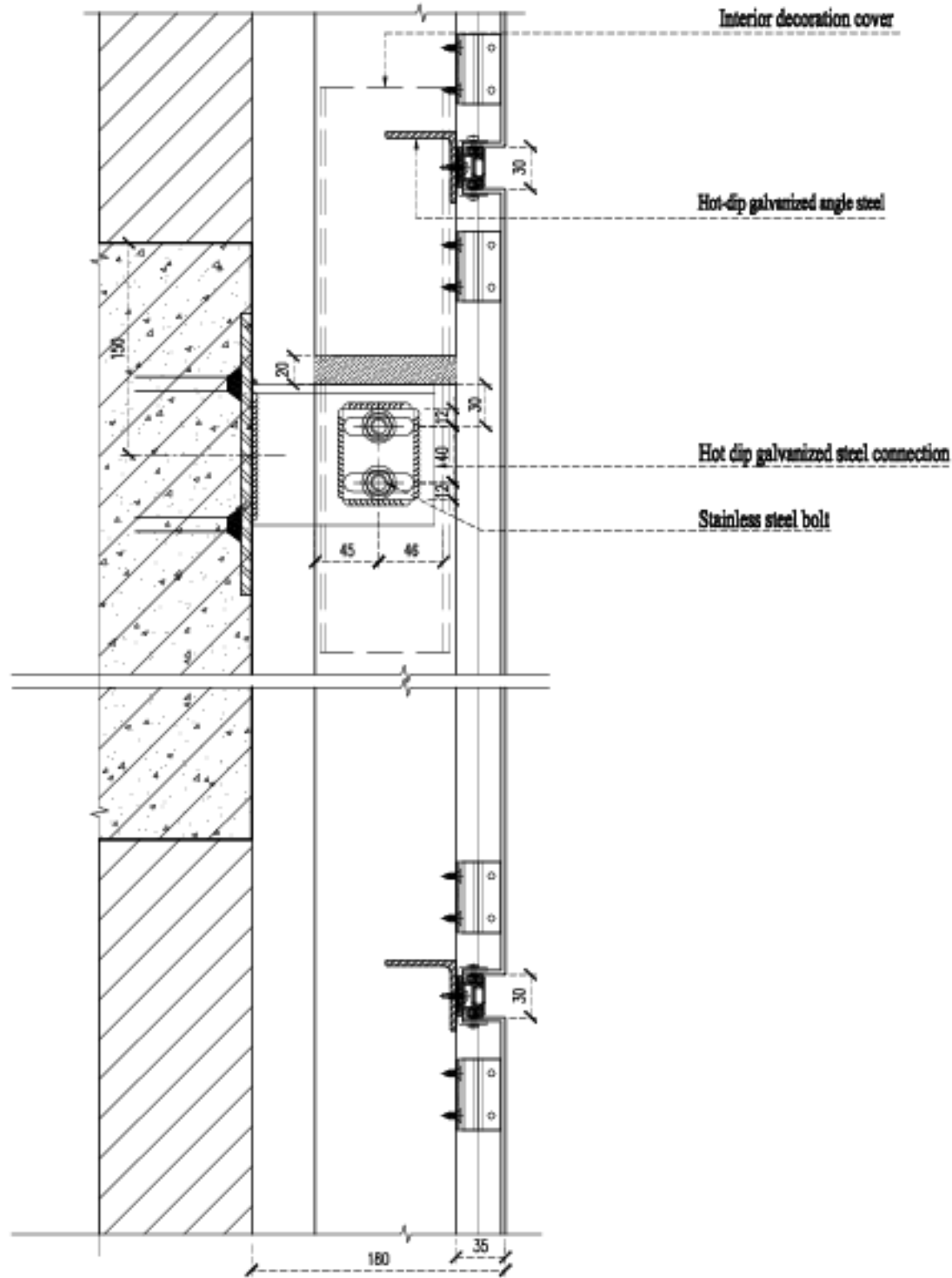


PERFORMANCE SPECIFICATIONS

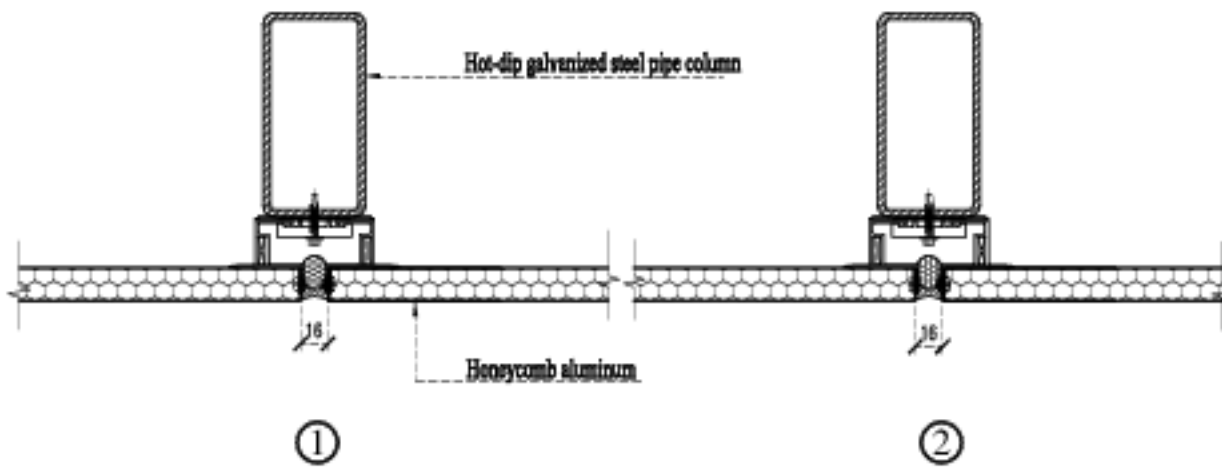
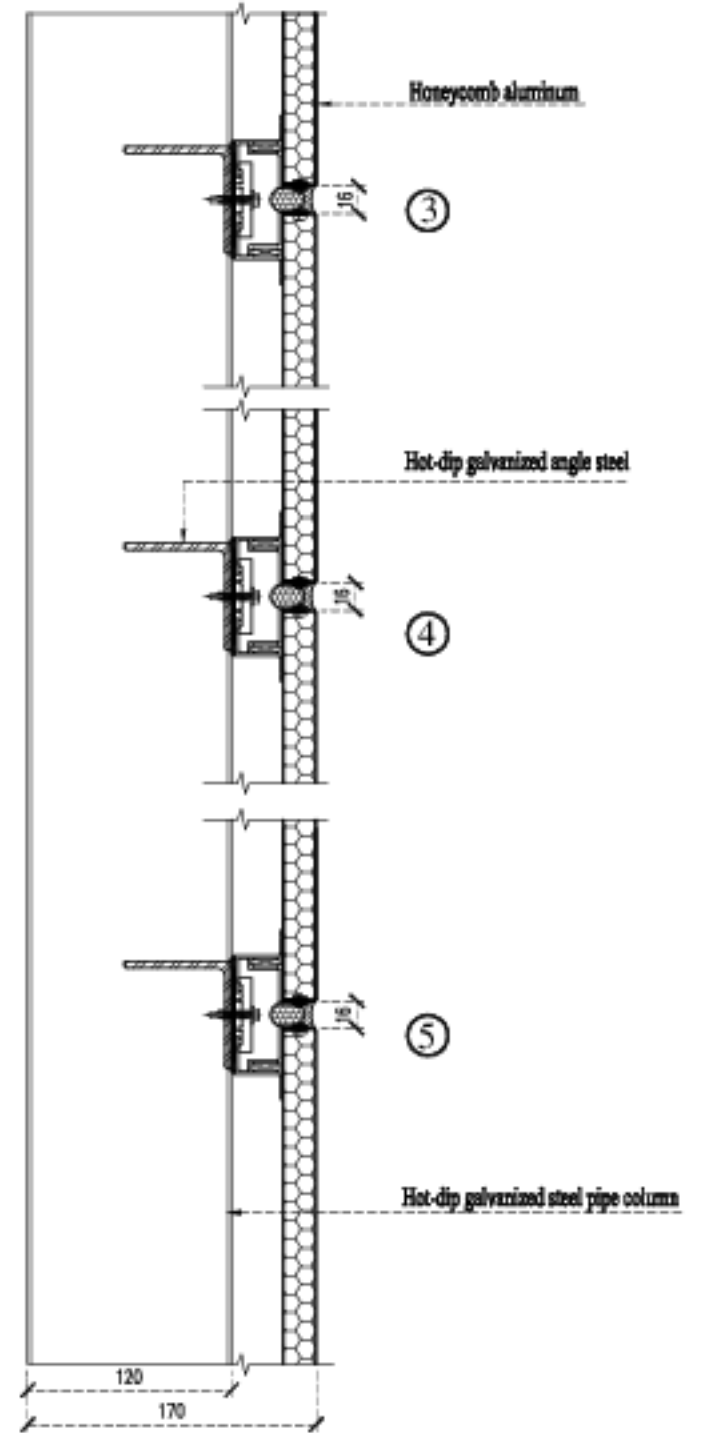
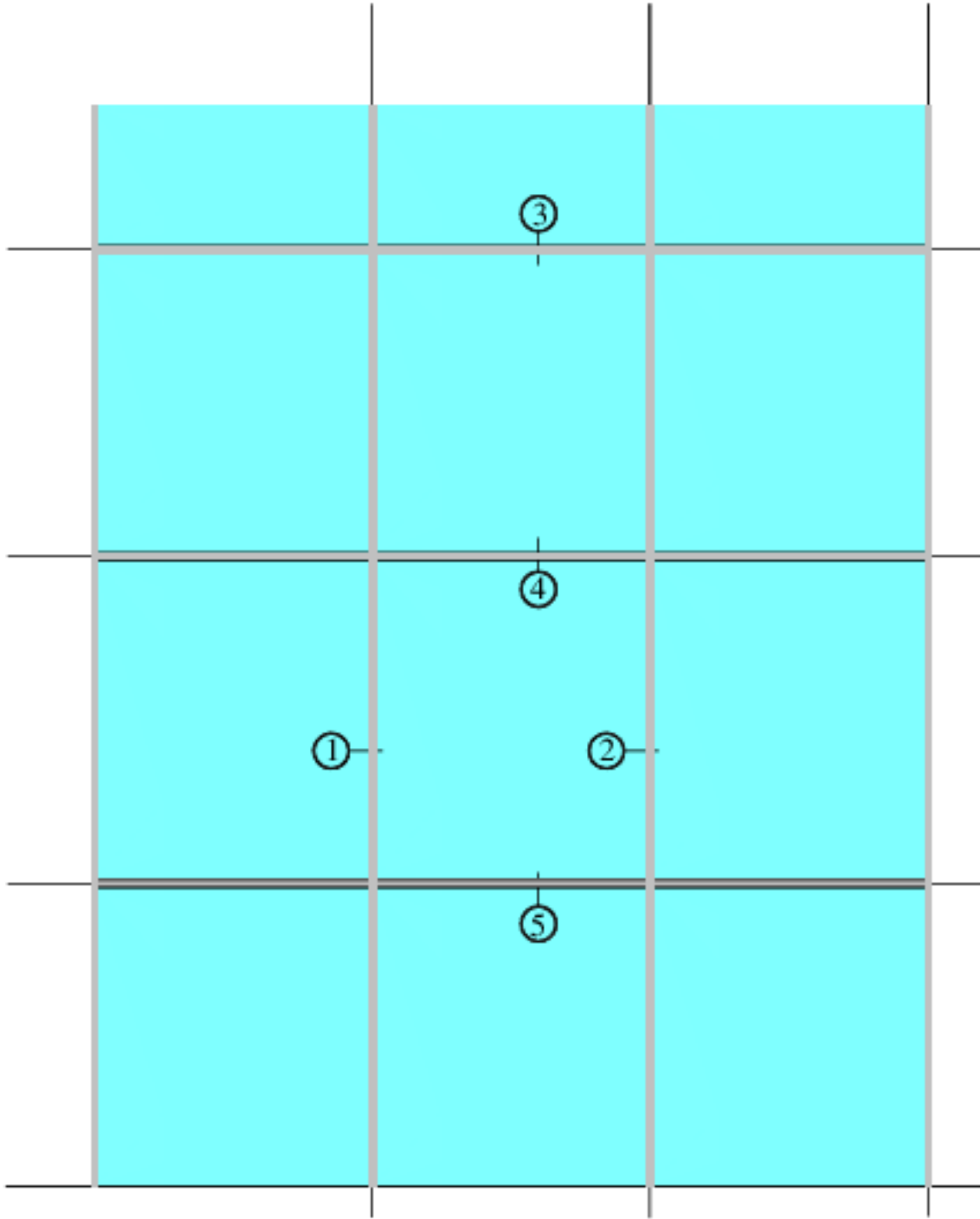
PERFORMANCE

 TOP BRIGHT	CERTIFICATION			Air Tightness	0.5~1.5m³/m.h	
	√	IGCC@IGMA®		Water Tightness	700~1000 Pa	
	√	AS/NZS 2208:1996		Acoustic Performance	30dB	
	√	TOPBRIGHT@CCC		Wind Load Resistance	1.4~3.0KN/m²	

The Solution For Curtain Wall Installation ----- Standard Reference -----



TOPBRIGHT CWS Honeycomb aluminum plate-AL-02



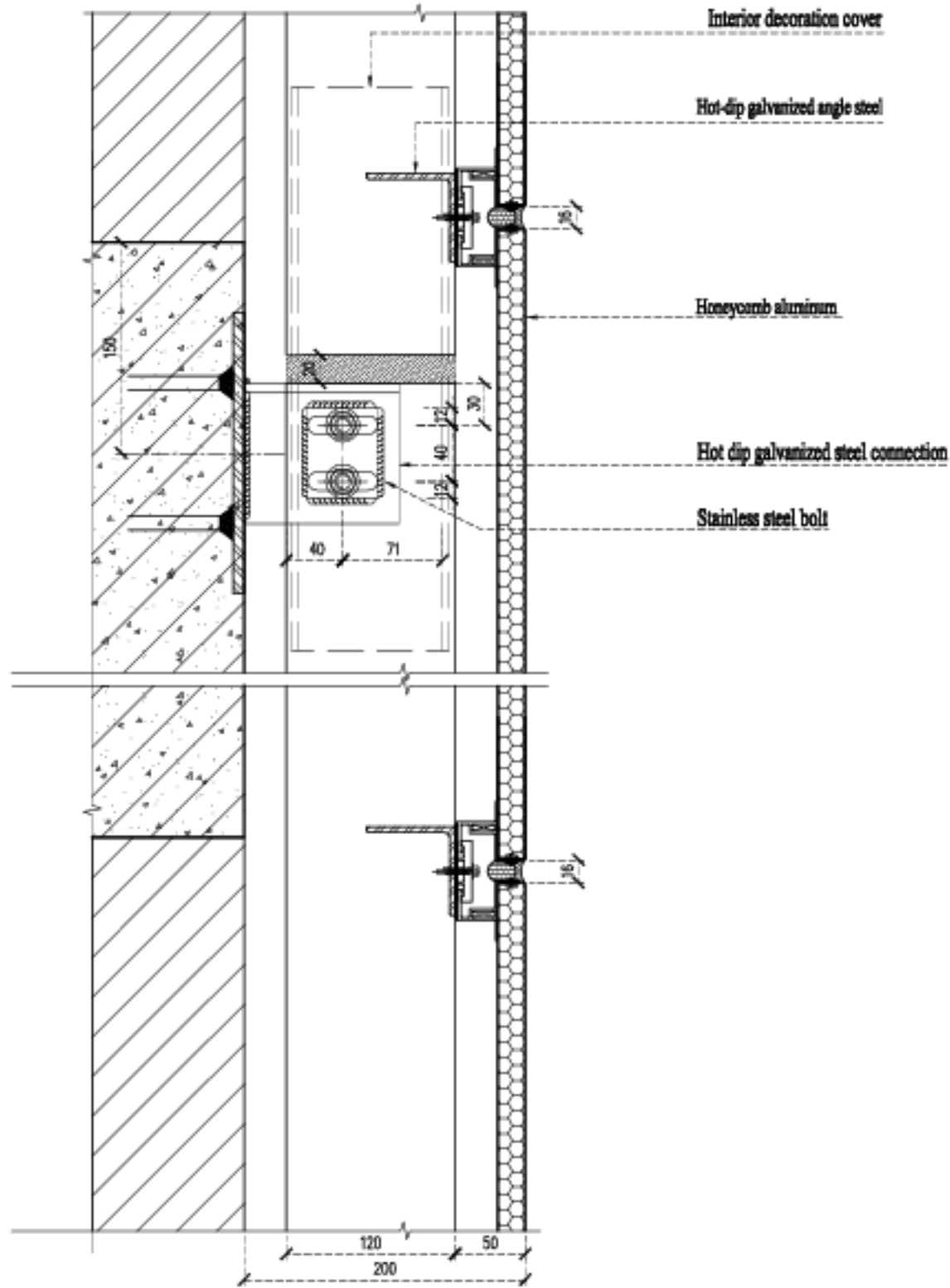
PERFORMANCE SPECIFICATIONS

PERFORMANCE

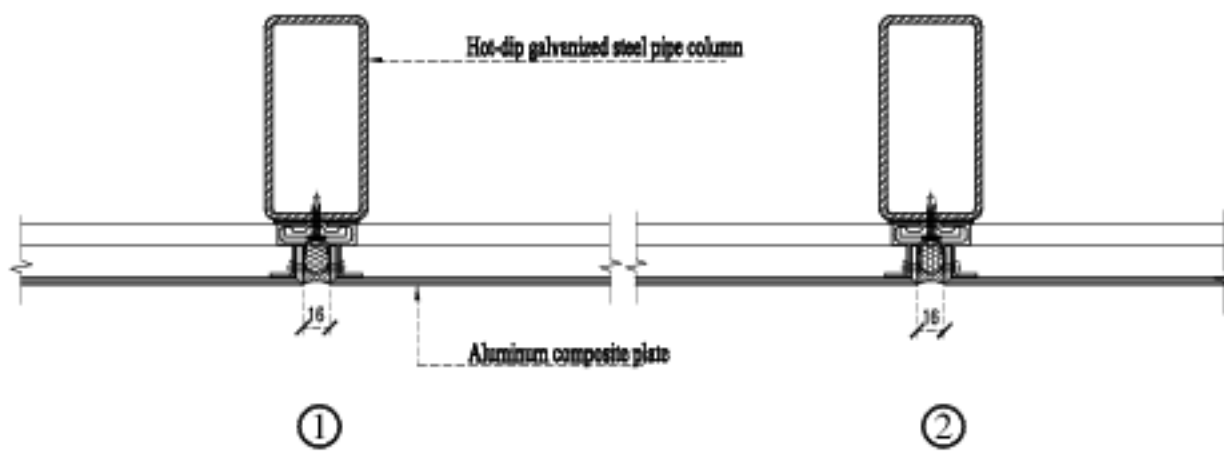
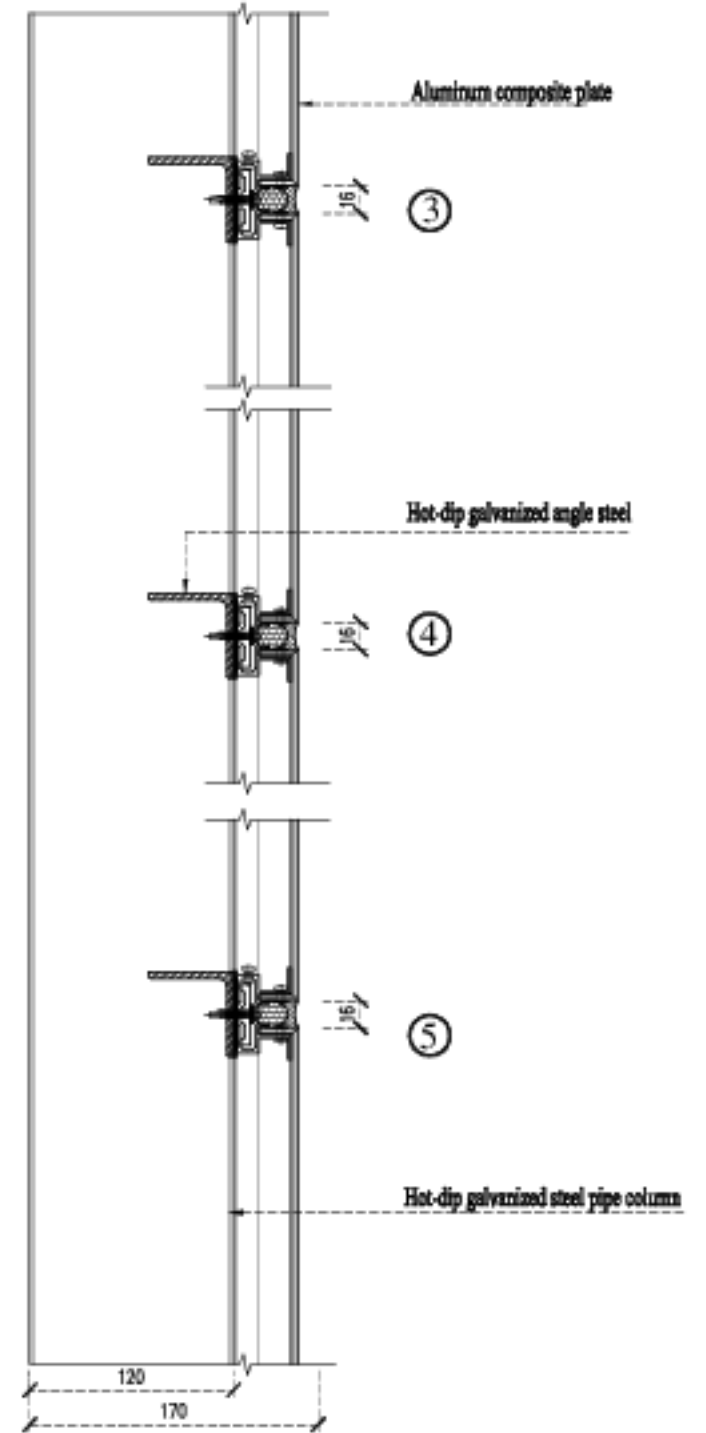
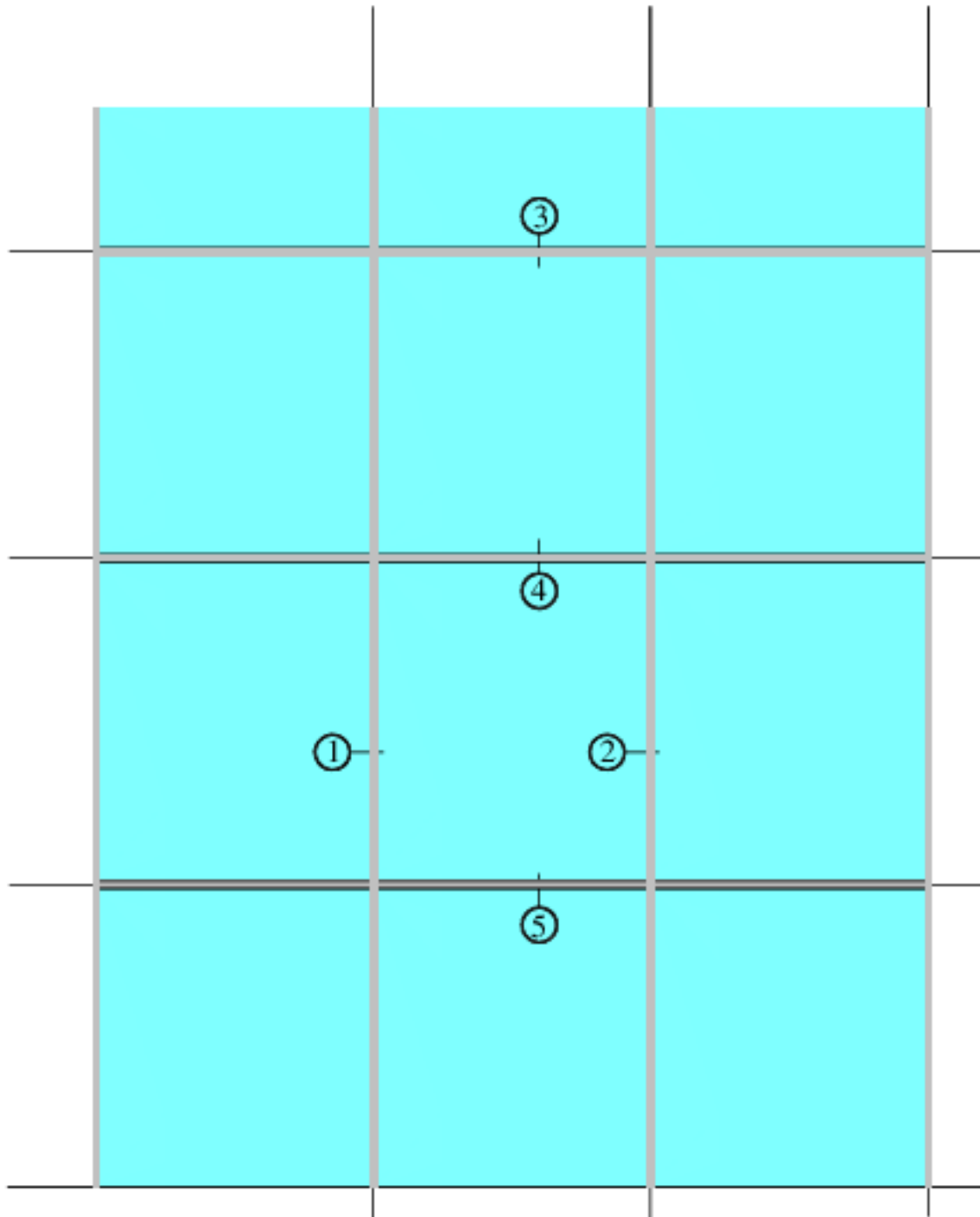


CERTIFICATION				
√	IGCC@IGMA®	☞	Air Tightness	0.5~1.5m ³ /m.h
√	AS/NZS 2208:1996	☞	Water Tightness	700~1000 Pa
√	TOPBRIGHT@CCC	☞	Acoustic Performance	30dB
√		☞	Wind Load Resistance	1.4~3.0KN/m ²

The Solution For Curtain Wall Installation ----- Standard Reference -----

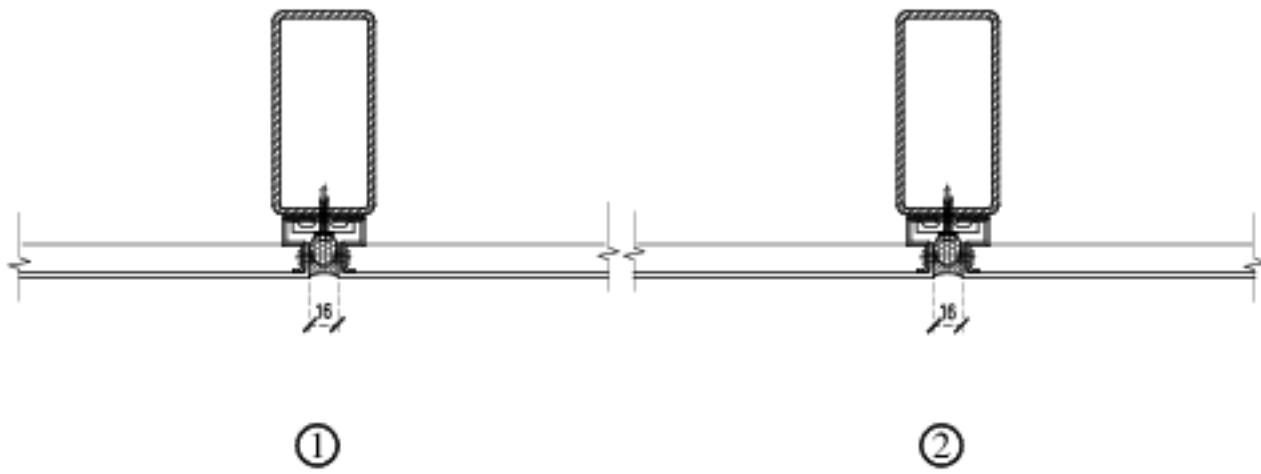
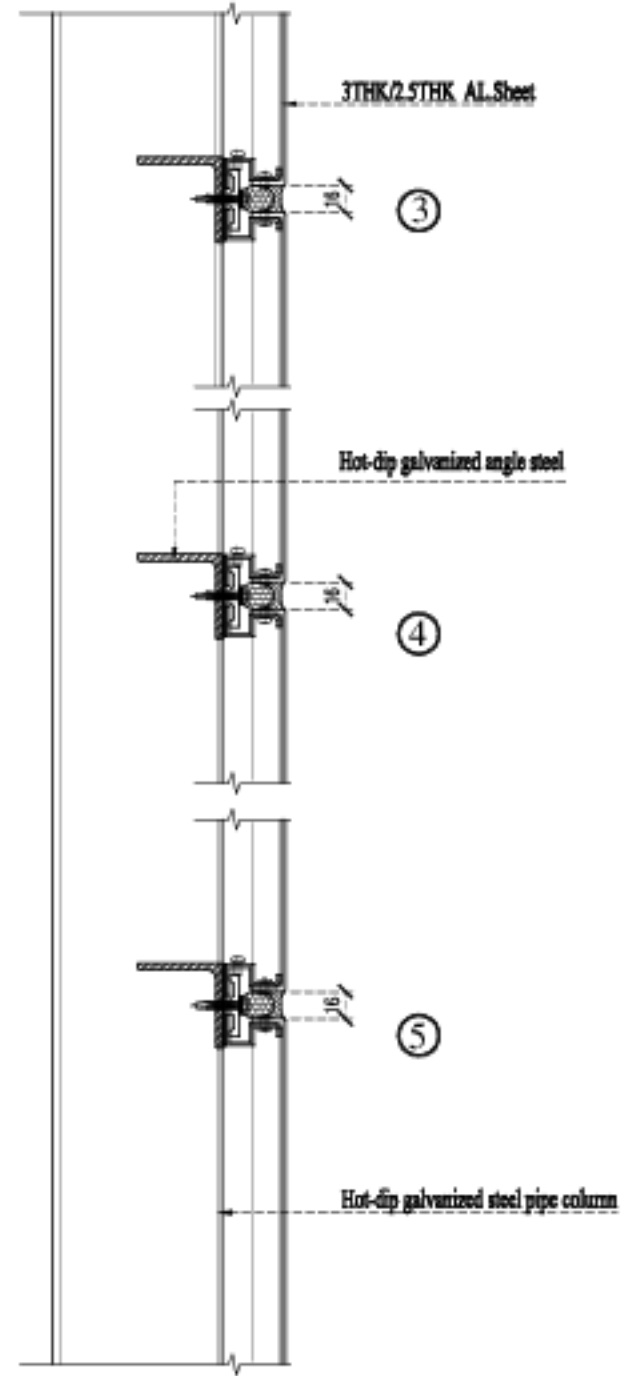
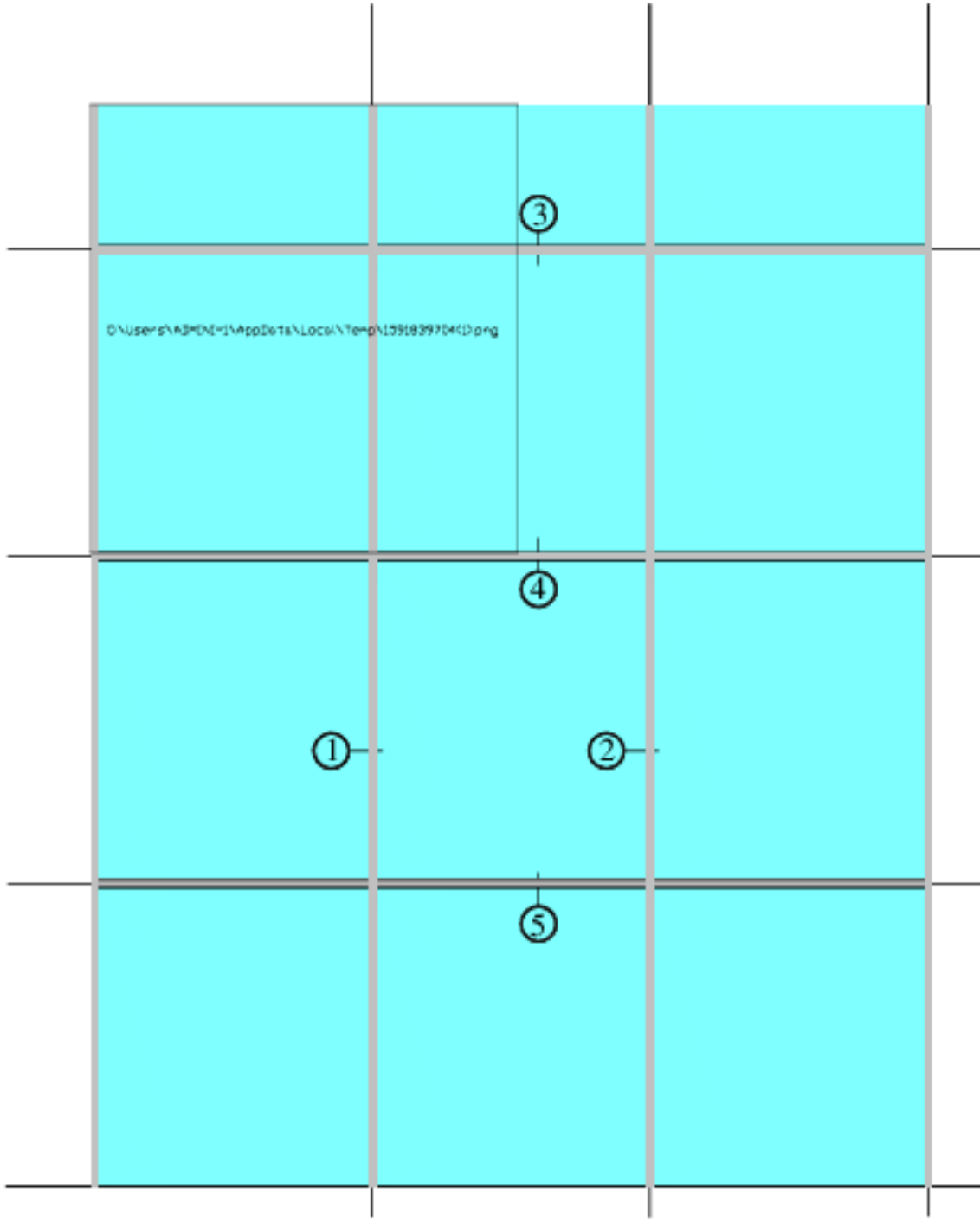


TOPBRIGHT CWS Aluminum composite plate-AL-03



PERFORMANCE SPECIFICATIONS		PERFORMANCE		
<p>TOP BRIGHT</p>	CERTIFICATION		Air Tightness	0.5~1.5m ³ /m.h
	√ IGCC@IGMA®		Water Tightness	700~1000 Pa
	√ AS/NZS 2208:1996		Acoustic Performance	30dB
	√ TOPBRIGHT@CCC		Wind Load Resistance	1.4~3.0KN/m ²

TOPBRIGHT CWS Aluminum veneer curtain wall-AL-04



PERFORMANCE SPECIFICATIONS

PERFORMANCE



CERTIFICATION		PERFORMANCE		
√	IGCC@IGMA®	☼	Air Tightness	0.5~1.5m ³ /m.h
√	AS/NZS 2208:1996	☼	Water Tightness	700~1000 Pa
√	TOPBRIGHT@CCC	☼	Acoustic Performance	30dB
√		☼	Wind Load Resistance	1.4~3.0KN/m ²

The Solution For Curtain Wall Installation ----- Standard Reference -----

